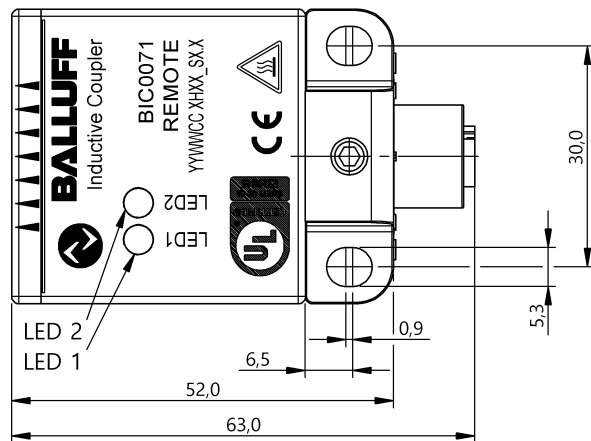
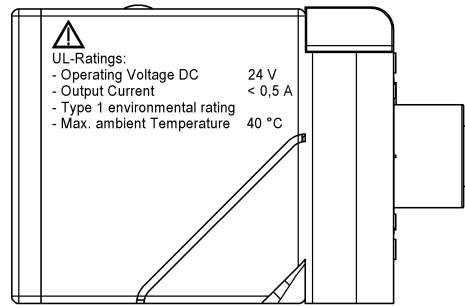
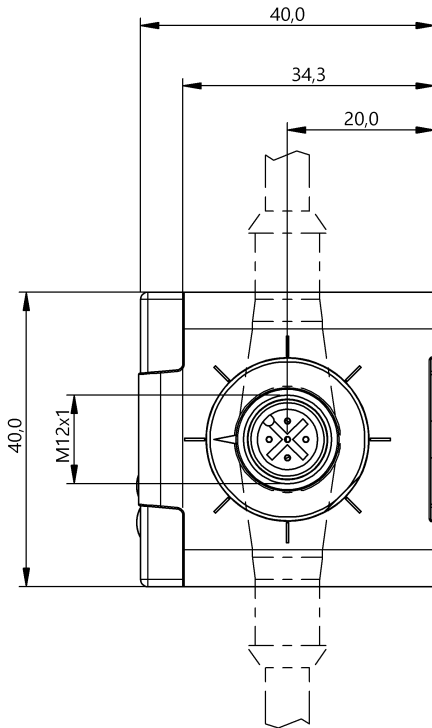


Inductive Couplers
BIC 2B0-ITA50-Q40KFU-SM4A5A
Order Code: BIC0071

BALLUFF



Basic features

Approval/Conformity	CE UKCA cULus WEEE
Component	Remote
Function	IO-Link signal transmission
Use	for inductive coupler base BIC0070 for inductive coupler base BIC0072

Display/Operation

Function indicator	yes
Power indicator	yes

Electrical connection

Connection	M12x1-Female, 5-pin
Short-circuit protection	yes

Electrical data

Output current max.	5 A / 0.05 ms
Output voltage	24 VDC
Rated output current	500 mA
Signal type	bi-directional
Type of master port	A

Environmental conditions

Ambient temperature	-5...65 °C
IP rating	IP67
Interference immunity	EN 61000-4-2/3/4/5/6
Storage temperature	-25...70 °C

Functional safety

MTTF (40 °C)	308 a
---------------------	-------

IO-Link

IO-Link Profil IDs	N/A
---------------------------	-----

Inductive Couplers
BIC 2B0-ITA50-Q40KFU-SM4A5A
Order Code: BIC0071

BALLUFF

Interface

Additive cycle time	Device + 2.0 ms
Frame type	Device dependent
IO-Link version	1.1
Interface	IO-Link 1.1
Process data IN	0...32 bytes
Process data OUT	0...32 bytes
Process data cycle min.	2 ms
SIO mode	yes
Transfer rate	COM2 (38.4 kBaud)

Material

Housing material	PBTP
Material sensing surface	PBTP

Remarks

For additional information, refer to user's guide.
Order accessories separately.
For more information about MTTF and B10d see MTTF / B10d Certificate

Indication of the MTTF- / B10d value does not represent a binding composition and/or life expectancy assurance; these are simply experiential values with no warranty implications. These declared values also do not extend the expiration period for defect claims or affect it in any way.

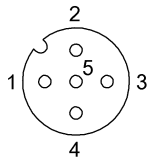
Mechanical data

Dimension	40 x 40 x 62 mm
Installation	non-flush
Offset	±5 mm
Tightening torque max.	40 Nm
Tightening torque pigtail	0.6 Nm
Weight	150 g

Range/Distance

Range	0...5 mm
Transmission distance	0...5 mm

Connector Drawings



IO-Link

PIN 1: +24V

PIN 2: Output

PIN 3: GND

PIN 4: C/Q, IO-Link DC-Channel

PIN 5: not used